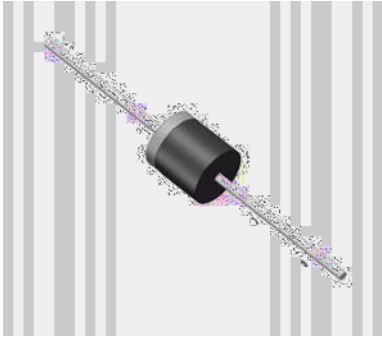


Schottky Diodes



Features

Typical Applications

Mechanical Data

Package



Terminals

Polarity

Maximum Ratings

PARAMETER	SYMBOL	UNIT	15SQ045

NOTE

Electrical Characteristics

PARAMETER	SYMBOL	UNIT	TEST CONDITIONS	15SQ045

Thermal Characteristics

PARAMETER	SYMBOL	UNIT	15SQ045

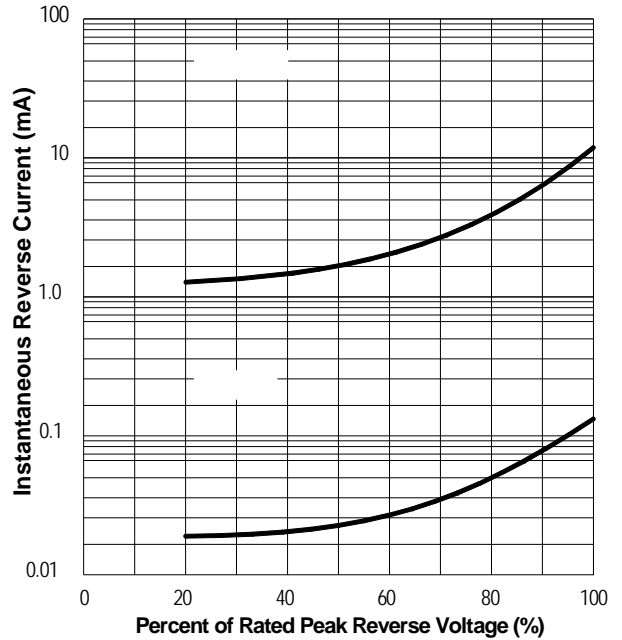
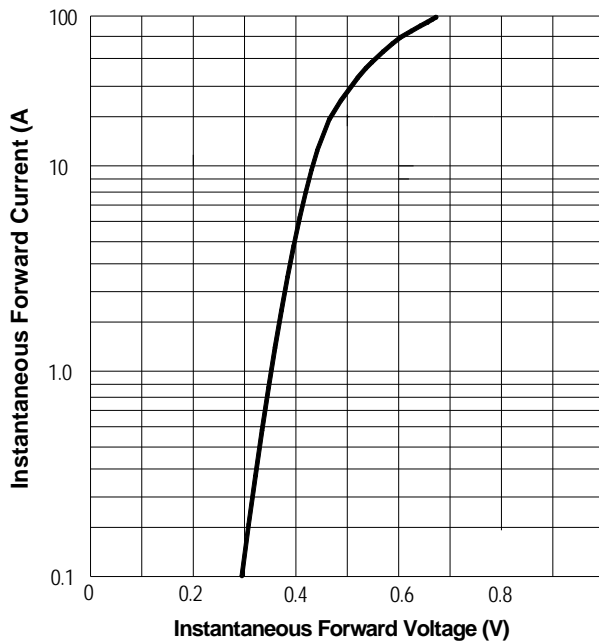
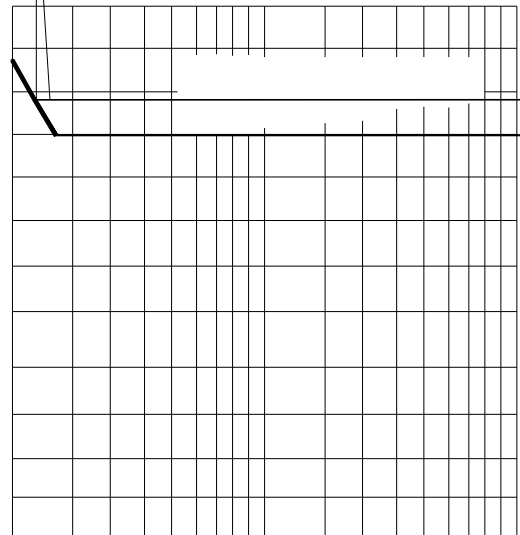
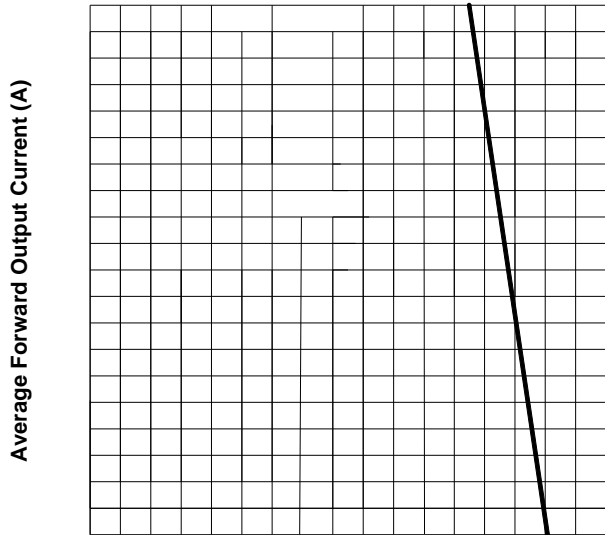


15SQ045

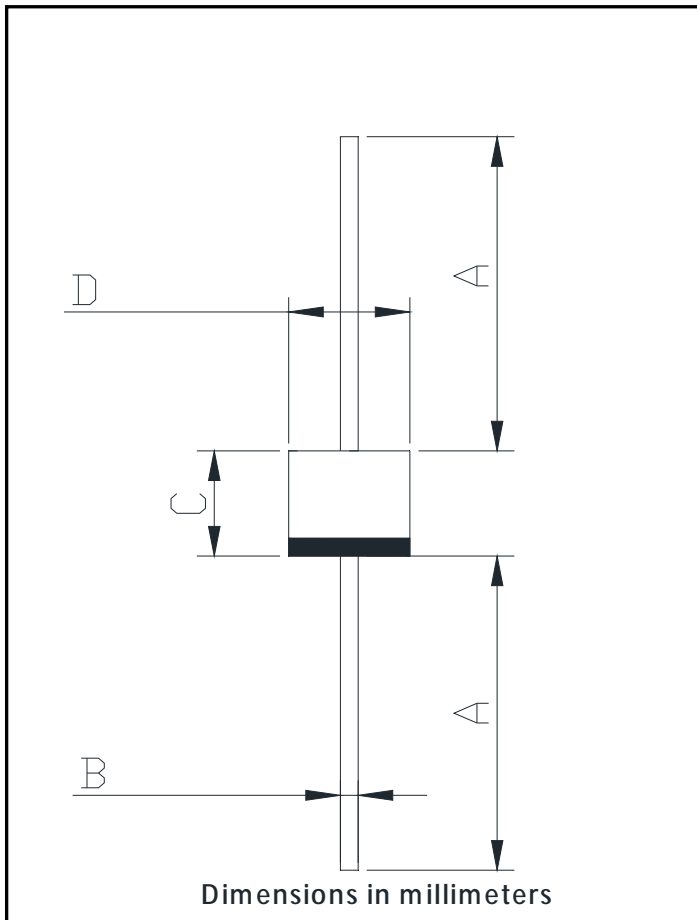
Ordering Information

PREFERED P/N	UNIT WEIGHT(g)	MINIIMUM PACKAGE(pcs)	INNER BOX QUANTITY(pcs)	OUTER CARTON QUANTITY(pcs)	DELIVERY MODE

Characteristics



Outline Dimensions



R-6		



15SQ045

Disclaimer

www.frxelec.com