

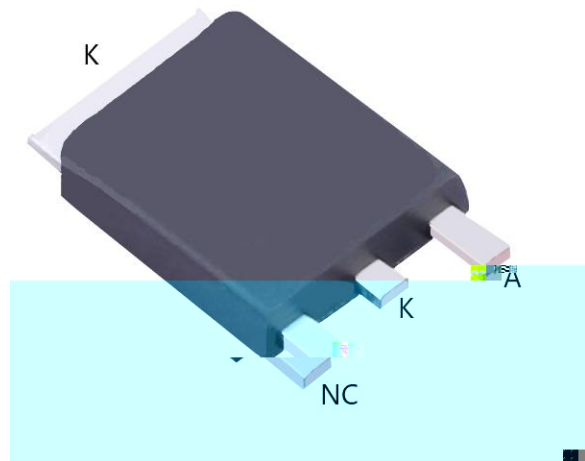
A

- B
- 
- 

- 
- 
- 
- 
- 
- 
- 
- 
- 
- 

CC C

C



	C	
	A	

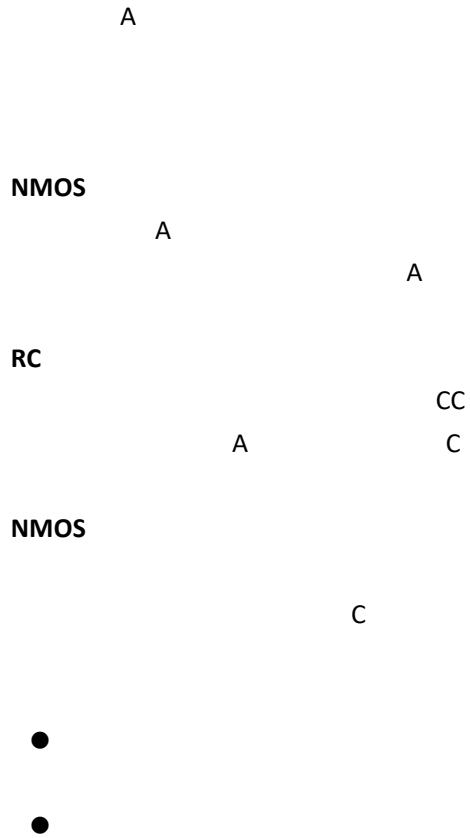


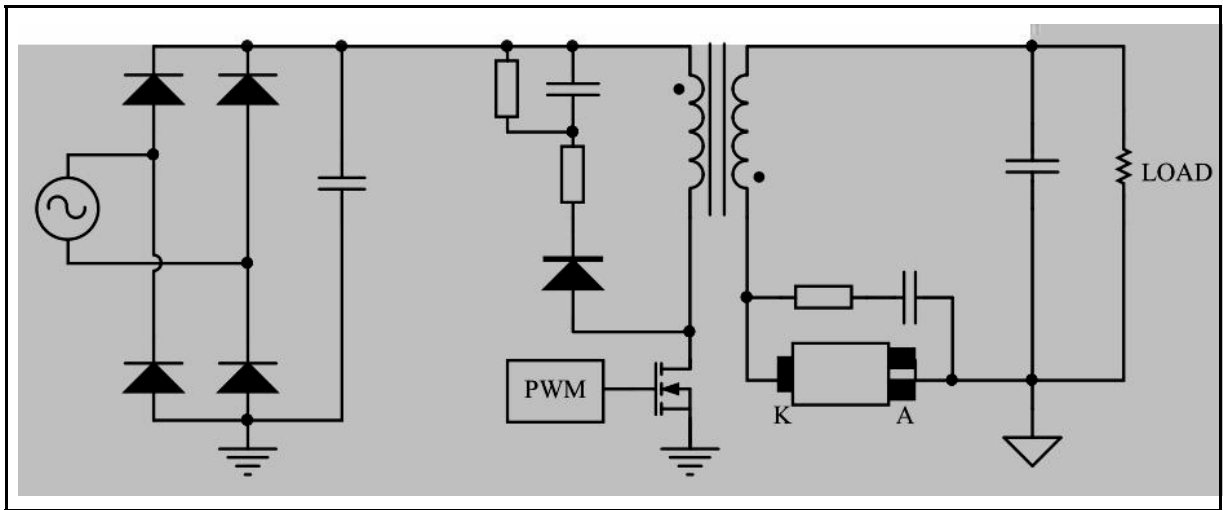
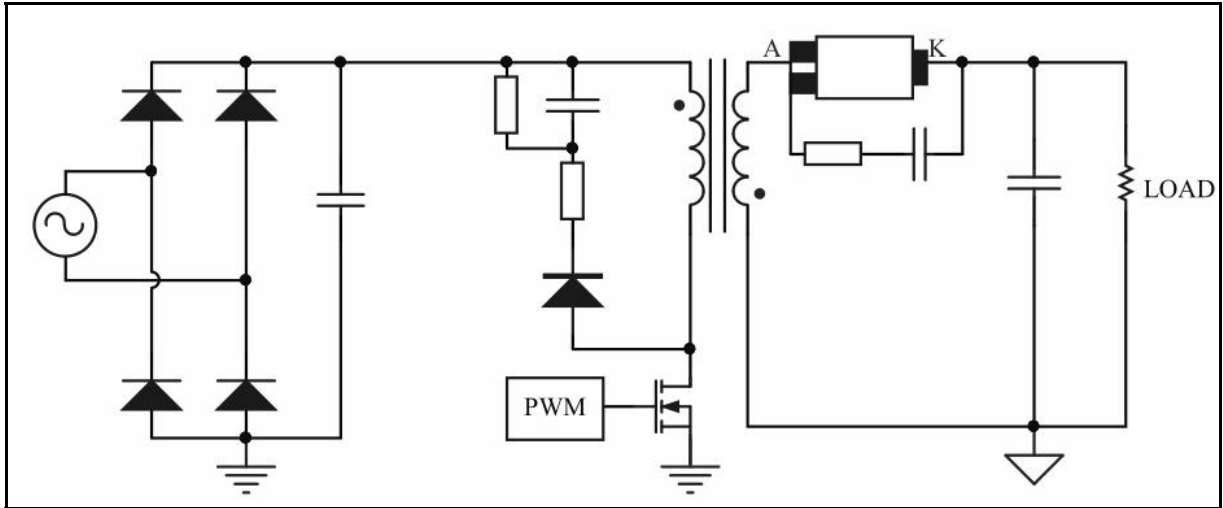
	B				
	C C				A
	C				A
	A				
	A				
	C				
B			±		
			±		

A

	CC					
	CC					
<b>&amp;</b>						
	A					
	A					
<b>NMOS</b>						

A







 <p><b>WARNING!</b> ESD SENSITIVE DEVICE</p>	ESD
---	-----

- 
- 
- 
- 
- 
- 
- 
-